

# SKiiP 1213 GB123-2DFL V3



SKiiP® 3

## 2-pack-integrated intelligent Power System

### SKiiP 1213 GB123-2DFL V3

#### Features

- SKiiP technology inside
- Trench IGBTs
- CAL HD diode technology
- Integrated current sensor
- Integrated temperature sensor
- Integrated heat sink
- Fiber optic interface
- UL recognized File no. E63532

#### Typical Applications\*

- Renewable energies
- Traction
- Elevators
- Industrial drives

#### Footnotes

<sup>1)</sup> With assembly of suitable MKP capacitor per terminal

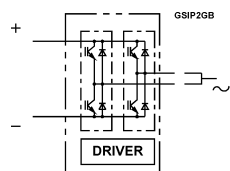
Absolute Maximum Ratings		$T_s = 25^\circ\text{C}$ unless otherwise specified	
Symbol	Conditions	Values	Unit
<b>System</b>			
$V_{CC}^{1)}$	Operating DC link voltage	900	V
$V_{isol}$	DC, $t = 1\text{ s}$ , main terminals to heat sink	4300	V
$I_{t(RMS)}$	per AC terminal, $T_{terminal} < 115^\circ\text{C}$	400	A
$I_{FSM}$	$T_j = 150^\circ\text{C}$ , $t_p = 10\text{ ms}$ , $\sin 180^\circ$	6900	A
$I^2t$	$T_j = 150^\circ\text{C}$ , $t_p = 10\text{ ms}$ , diode	238	$\text{kA}^2\text{s}$
$f_{out}$	fundamental output frequency	1	kHz
$T_{stg}$	storage temperature	-40 ... 85	$^\circ\text{C}$

<b>IGBT</b>				
$V_{CES}$	$T_j = 25^\circ\text{C}$	1200	V	
$I_C$	$T_j = 150^\circ\text{C}$	$T_s = 25^\circ\text{C}$	1145	A
		$T_s = 70^\circ\text{C}$	882	A
$I_{Cnom}$		1200	A	
$T_j$	junction temperature	-40 ... 150	$^\circ\text{C}$	

<b>Diode</b>				
$V_{RRM}$	$T_j = 25^\circ\text{C}$	1200	V	
$I_F$	$T_j = 150^\circ\text{C}$	$T_s = 25^\circ\text{C}$	925	A
		$T_s = 70^\circ\text{C}$	700	A
$I_{Fnom}$		930	A	
$T_j$	junction temperature	-40 ... 150	$^\circ\text{C}$	

<b>Driver</b>			
$V_s$	power supply	13 ... 30	V
$V_{iH}$	input signal voltage (high)	15 + 0.3	V
$V_{isolIPD}$	QPD $\leq 10\text{pC}$ , PRIM to POWER	1170	V
$dv/dt$	secondary to primary side	75	$\text{kV}/\mu\text{s}$
$f_{sw}$	switching frequency	15	kHz

Characteristics		$T_s = 25^\circ\text{C}$ unless otherwise specified			
Symbol	Conditions	min.	typ.	max.	Unit
<b>IGBT</b>					
$V_{CE(sat)}$	$I_C = 600\text{ A}$ at terminal	$T_j = 25^\circ\text{C}$	1.7	2.1	V
		$T_j = 125^\circ\text{C}$	1.9		V
$V_{CE0}$		$T_j = 25^\circ\text{C}$	0.90	1.10	V
		$T_j = 125^\circ\text{C}$	0.80	1.00	V
$r_{CE}$	at terminal	$T_j = 25^\circ\text{C}$	1.3	1.7	$\text{m}\Omega$
		$T_j = 125^\circ\text{C}$	1.8	2.2	$\text{m}\Omega$
$E_{on} + E_{off}$	$I_C = 600\text{ A}$ $T_j = 125^\circ\text{C}$	$V_{CC} = 600\text{ V}$	221		mJ
		$V_{CC} = 900\text{ V}$	390		mJ
$R_{th(j-s)}$	per IGBT switch			0.03	K/W
$R_{th(j-r)}$	per IGBT switch			0.024	K/W



S23

# SKiiP 1213 GB123-2DFL V3



SKiiP® 3

## 2-pack-integrated intelligent Power System

### SKiiP 1213 GB123-2DFL V3

#### Features

- SKiiP technology inside
- Trench IGBTs
- CAL HD diode technology
- Integrated current sensor
- Integrated temperature sensor
- Integrated heat sink
- Fiber optic interface
- UL recognized File no. E63532

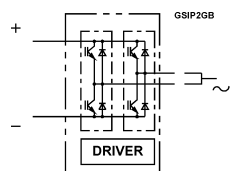
#### Typical Applications\*

- Renewable energies
- Traction
- Elevators
- Industrial drives

#### Footnotes

<sup>1)</sup> With assembly of suitable MKP capacitor per terminal

Characteristics		$T_s = 25^\circ\text{C}$ unless otherwise specified			
Symbol	Conditions	min.	typ.	max.	Unit
<b>Diode</b>					
$V_F = V_{EC}$	$I_F = 600\text{ A}$ at terminal	$T_j = 25^\circ\text{C}$	1.50	1.80	V
		$T_j = 125^\circ\text{C}$	1.50		V
$V_{F0}$		$T_j = 25^\circ\text{C}$	0.9	1.10	V
		$T_j = 125^\circ\text{C}$	0.7	0.90	V
$r_F$	at terminal	$T_j = 25^\circ\text{C}$	1	1.1	m $\Omega$
		$T_j = 125^\circ\text{C}$	1.3	1.5	m $\Omega$
$E_{rr}$	$I_F = 600\text{ A}$ $T_j = 125^\circ\text{C}$	$V_R = 600\text{ V}$	42		mJ
		$V_R = 900\text{ V}$	56		mJ
$R_{th(j-s)}$	per diode switch			0.058	K/W
$R_{th(j-r)}$	per diode switch			0.078	K/W
<b>Driver</b>					
$V_s$	supply voltage non stabilized	13	24	30	V
$I_{SO}$	bias current @ $V_s=24\text{V}$ , $f_{sw} = 0$ , $I_{AC} = 0$		240		mA
$I_s$	$k_1 = 29\text{ mA/kHz}$ , $k_2 = 0.00065\text{ mA/A}^2$	= 240	$+ k_1 * f_{sw} + k_2 * I_{AC}^2$		mA
$V_{IT+}$	input threshold voltage (HIGH)	12.3			V
$V_{IT-}$	input threshold voltage (LOW)			4.6	V
$R_{IN}$	input resistance		10		k $\Omega$
$C_{IN}$	input capacitance		1		nF
$t_{pRESET}$	error memory reset time		0.0122		ms
$t_{TD}$	top / bottom switch interlock time		3		$\mu\text{s}$
$t_{jitter}$	jitter clock time		125		ns
$t_{SIS}$	short pulse suppression time		0.625	0.7	$\mu\text{s}$
$I_{TRIPSC}$	over current trip level	1470	1500	1530	A <sub>PEAK</sub>
$T_{trip}$	over temperature trip level	110	115	120	$^\circ\text{C}$
$V_{DCtrip}$	over voltage trip level,		not impl.		V
$t_{d(on)O}$	$V_{CC} = 900\text{ V}$ $I_C = 600\text{ A}$ $T_j = 25^\circ\text{C}$	input-output turn-on propagation time	1.4		$\mu\text{s}$
$t_{d(off)O}$		input-output turn-off propagation time	1.4		$\mu\text{s}$
<b>System</b>					
$R_{th(r-a)}$	flow rate=460m <sup>3</sup> /h, $T_a=25^\circ\text{C}$ , 500m above sea level			0.0344	K/W
$R_{CC+EE}$	terminals to chip, $T_s = 25^\circ\text{C}$		0.25		m $\Omega$
$L_{CE}$	commutation inductance		6		nH
$C_{CHC}$	per phase, AC-side		3.4		nF
$I_{CES} + I_{RD}$	$V_{GE} = 0\text{ V}$ , $V_{CE} = 1200\text{ V}$ , $T_j = 25^\circ\text{C}$		2.4		mA
$M_{dc}$	DC terminals, SI Units	6		8	Nm
$M_{ac}$	AC terminals, SI Units	13		15	Nm
$w$	SKiiP System w/o heat sink		1.7		kg
$w_h$	heat sink		4.4		kg



S23

## Isolation coordination acc. to EN 50178 and IEC 61800-5-1

Maximum grid RMS voltage, line-to-line, grounded delta mains	480V+20%
Installation altitude for maximum grid RMS voltage, line-to-line, grounded delta mains	2000m
Maximum grid RMS voltage, line-to-line, star point grounded mains	480V+20%
Installation altitude for maximum grid RMS voltage, line-to-line, star point grounded mains	5000m
Maximum transient peak voltage between low voltage circuit and mains	1600V
Pollution degree acc. to IEC 60664-1 outside the moulded power section	2
Overvoltage cat. acc. to IEC 60664-1 for mains	III
Basic isolation	between heat sink and mains; between low voltage circuit and mains
Protection level acc. to IEC 60529	IP00

## Environmental conditions acc.to IEC 60721

	Storage	Transportation	Operation stationary use at weather protected locations	Operating ground vehicle installations	Operating ship environment
Climatic conditions	1K2 <sub>(1)</sub>	2K2 <sub>(1)</sub>	3K3 <sub>(1)</sub>	5K1 <sub>(1)</sub>	---
Biological conditions	1B1	2B1	3B1	5B1	6B1
Chemically active substances (excluded: salt spray)	1C2	2C1	3C2	5C2	6C2
Mechanically active substances	1S1	2S1	3S1	5S1	6S1
Mechanical conditions	1M3	(4)	3M6 <sub>(2)</sub>	5M3 <sub>(3)</sub>	6M3
Contaminating fluids	---	---	---	5F1	---

(1) expanded temperature range: -40°C / +85°C. Please note: by operation near 85°C the life time of product is reduced.

(2) 3M7 possible, but due to the mechanic load capacity of external components like DC-Link capacitors limited to 3M6

(3) 5M3 without impact of foreign bodies, stones

(4) no declaration due to customer-specific packing

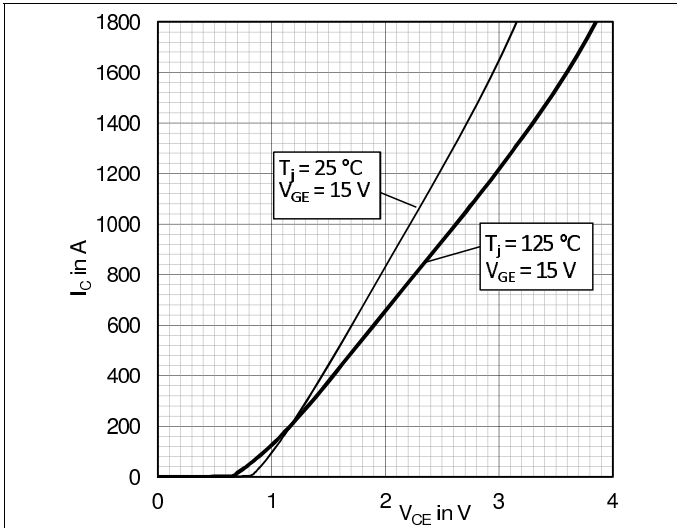


Fig. 1: Typical IGBT output characteristic

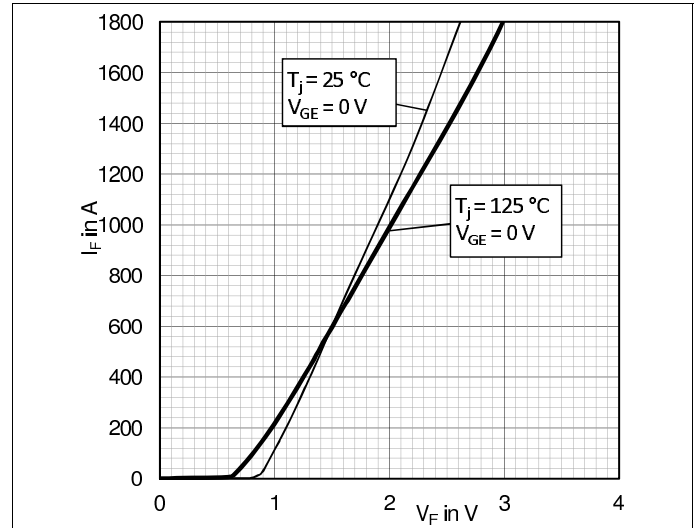


Fig. 2: Typical diode output characteristics

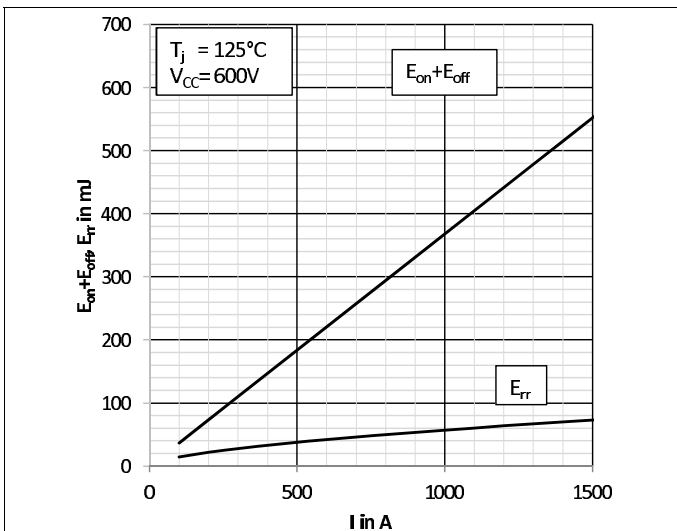


Fig. 3: Typical energy losses  $E = f(I_C, V_{CC})$

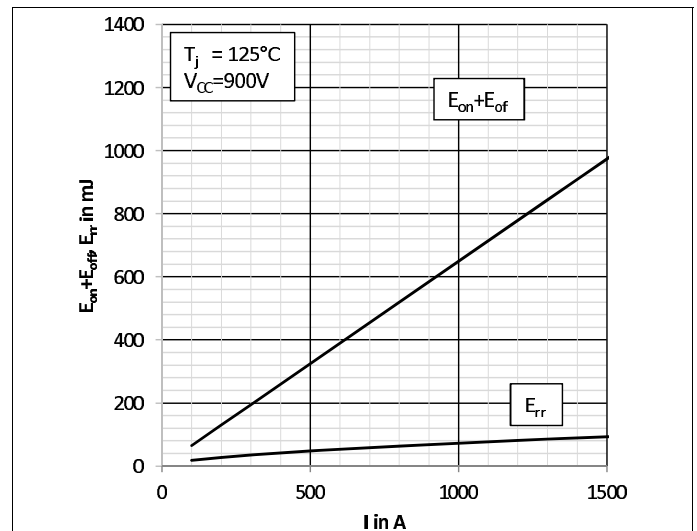


Fig. 4: Typical energy losses  $E = f(I_C, V_{CC})$

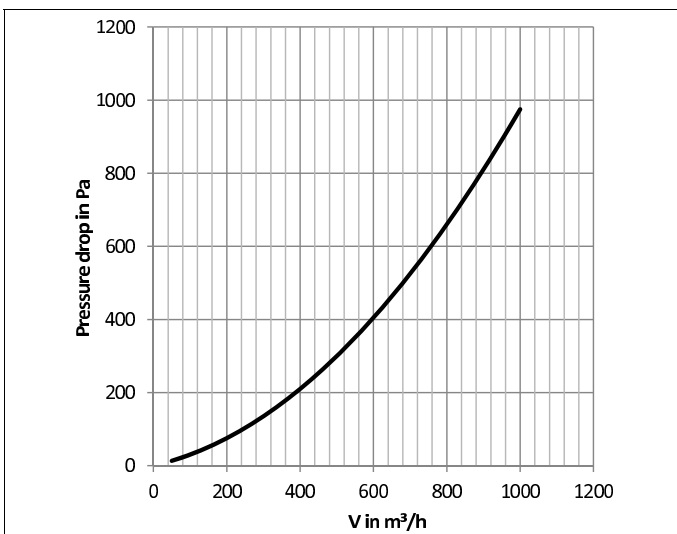


Fig. 5: Pressure drop  $\Delta p$  versus flow rate  $V$

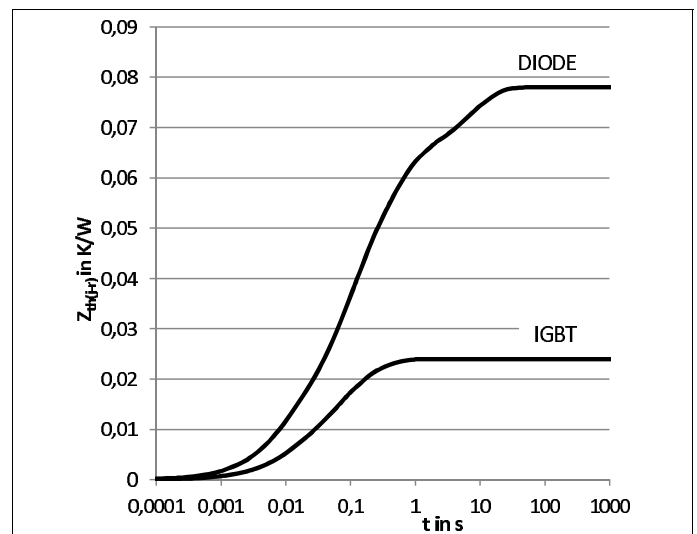


Fig. 6: Transient thermal impedance  $Z_{th(j-r)}$

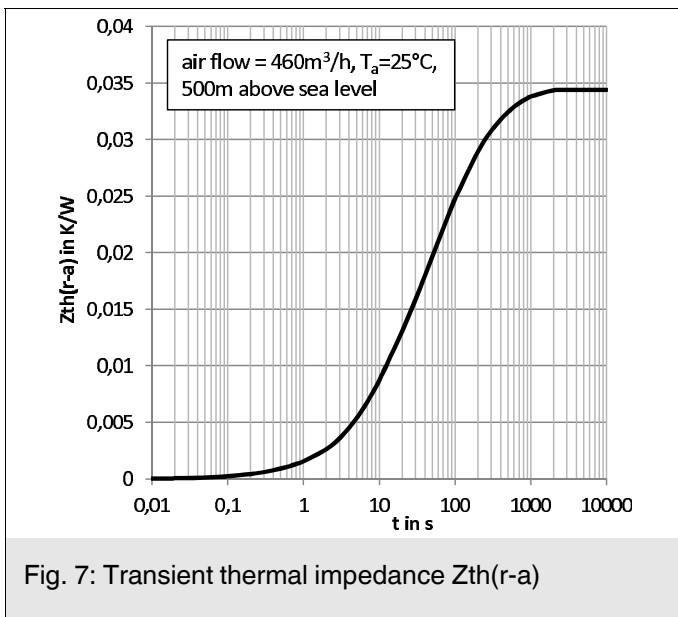


Fig. 7: Transient thermal impedance Zth(r-a)

	R <sub>th</sub> [K/W]					
	1	2	3	4	5	6
Z <sub>th(j-r)</sub> I	0,0048	0,0127	0,0065	0,0000	0,0000	0,0000
Z <sub>th(j-r)</sub> D	0,0099	0,0017	0,0271	0,0247	0,0037	0,0109
Z <sub>th(r-a)</sub>	0,0004	0,0068	0,0115	0,0100	0,0057	0,0000
	tau [s]					
	1	2	3	4	5	6
Z <sub>th(j-r)</sub> I	0,0100	0,0600	0,2300	1,0000	1,0000	1,0000
Z <sub>th(j-r)</sub> D	0,0075	0,0260	0,0800	0,4000	5,0000	8,0000
Z <sub>th(r-a)</sub>	0,3100	8,3100	39,000	116,00	445,00	1,0000

Fig. 8: Coefficients of thermal impedances

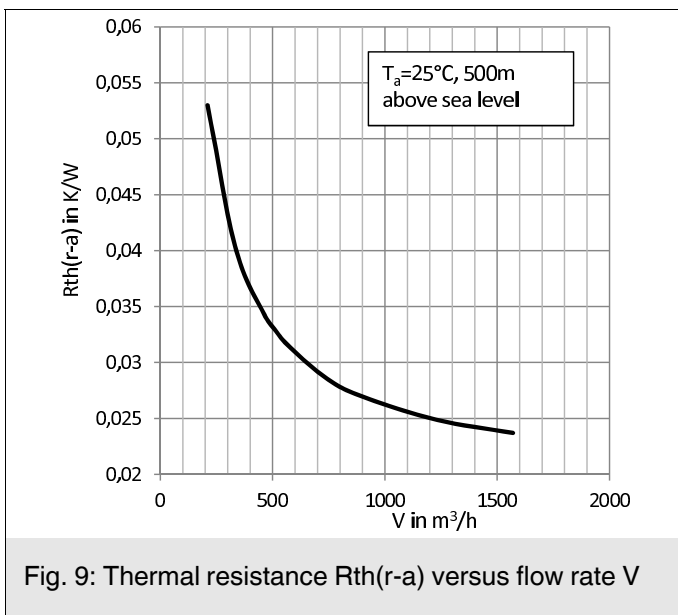
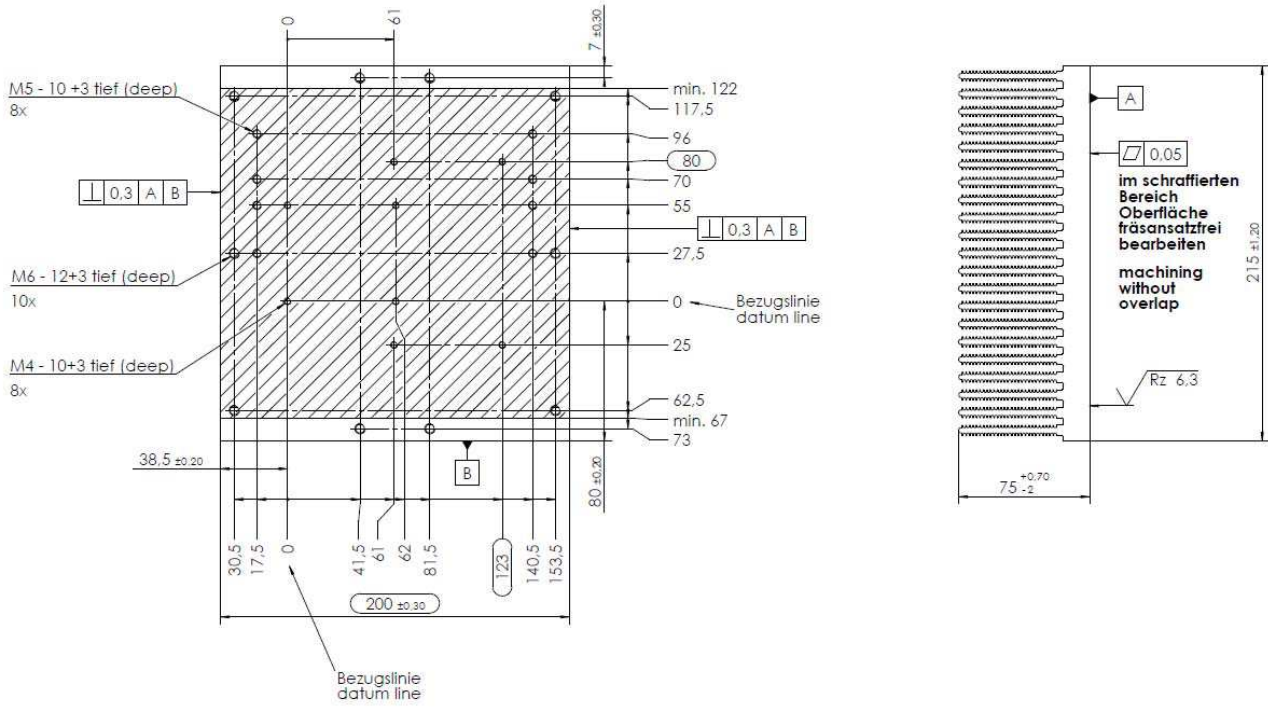


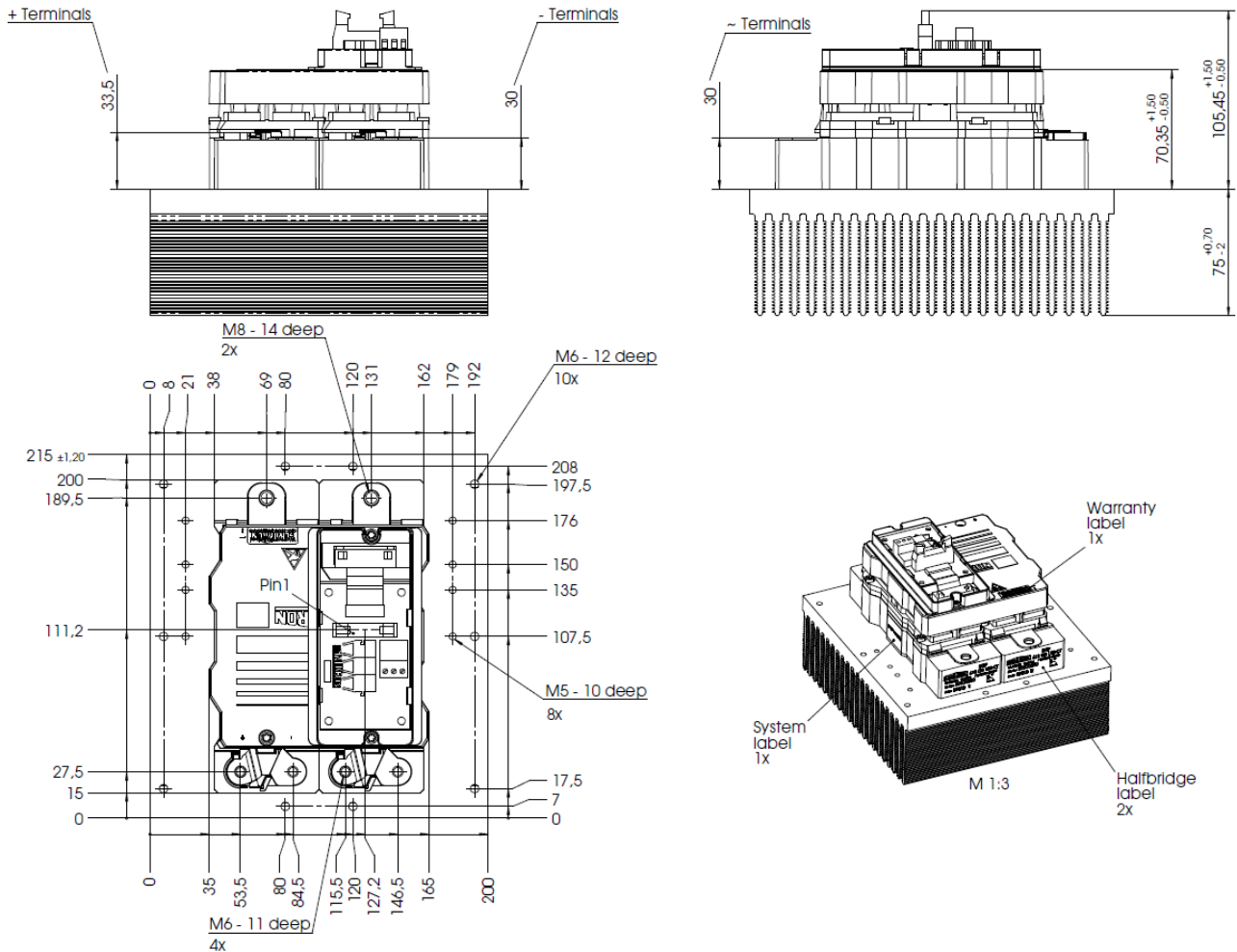
Fig. 9: Thermal resistance Rth(r-a) versus flow rate V

# SKiP 1213 GB123-2DFL V3



Heat sink

# SKiP 1213 GB123-2DFL V3



## System

This is an electrostatic discharge sensitive device (ESDS), international standard IEC 60747-1, Chapter IX

\* The specifications of our components may not be considered as an assurance of component characteristics. Components have to be tested for the respective application. Adjustments may be necessary. The use of SEMIKRON products in life support appliances and systems is subject to prior specification and written approval by SEMIKRON. We therefore strongly recommend prior consultation of our staff.