

THYRISTOR TRIGGER MODULES

RT380M B2C

PHASE ANGLE THYRISTOR REGULATOR

- 230ac or 400Vac supply
- Perfect operation with inductive loads
- Control voltage selectable 0-5/0-10 V.
- Auxiliary 5V supply for the control voltage
- 4.000 V galvanic insulation
- Triggers the whole range of SEMIKRON thyristors
- No external components required.
- Works with 50 Hz and 60 Hz

The model RT380MU B2C is designed to trigger 4 thyristors in B2C configuration, and can also be used with only 2 thyristors, with a variable delay over the zero crossing of the mains alternating voltage. In this way, the power allowed through to the load by the thyristors is regulated.

The load may be supplied with a variable alternating voltage if both thyristors are connected in anti-parallel, or with a variable DC-Voltage if both are connected in a controlled- or semi-controlled rectifier assembly.

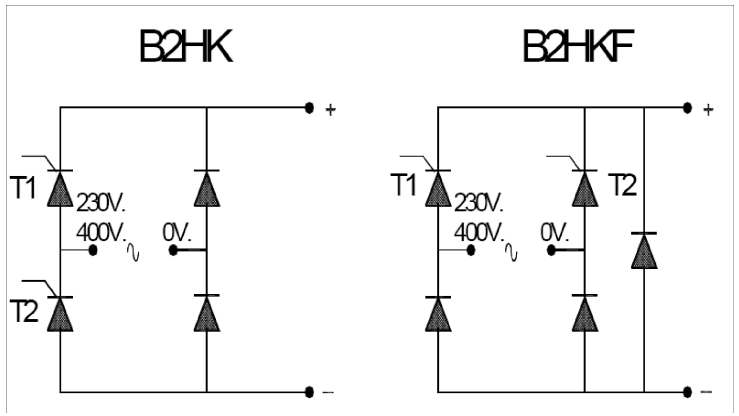
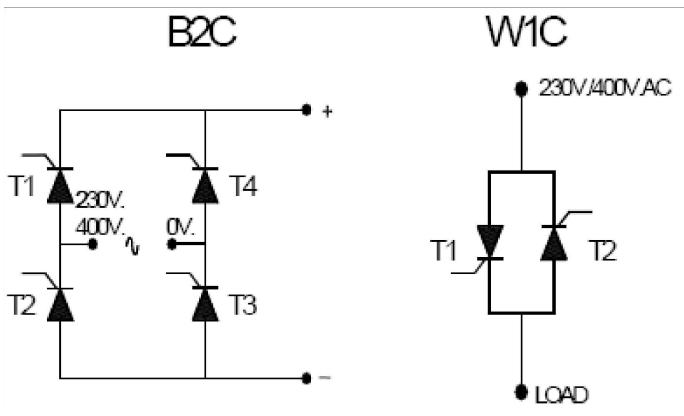
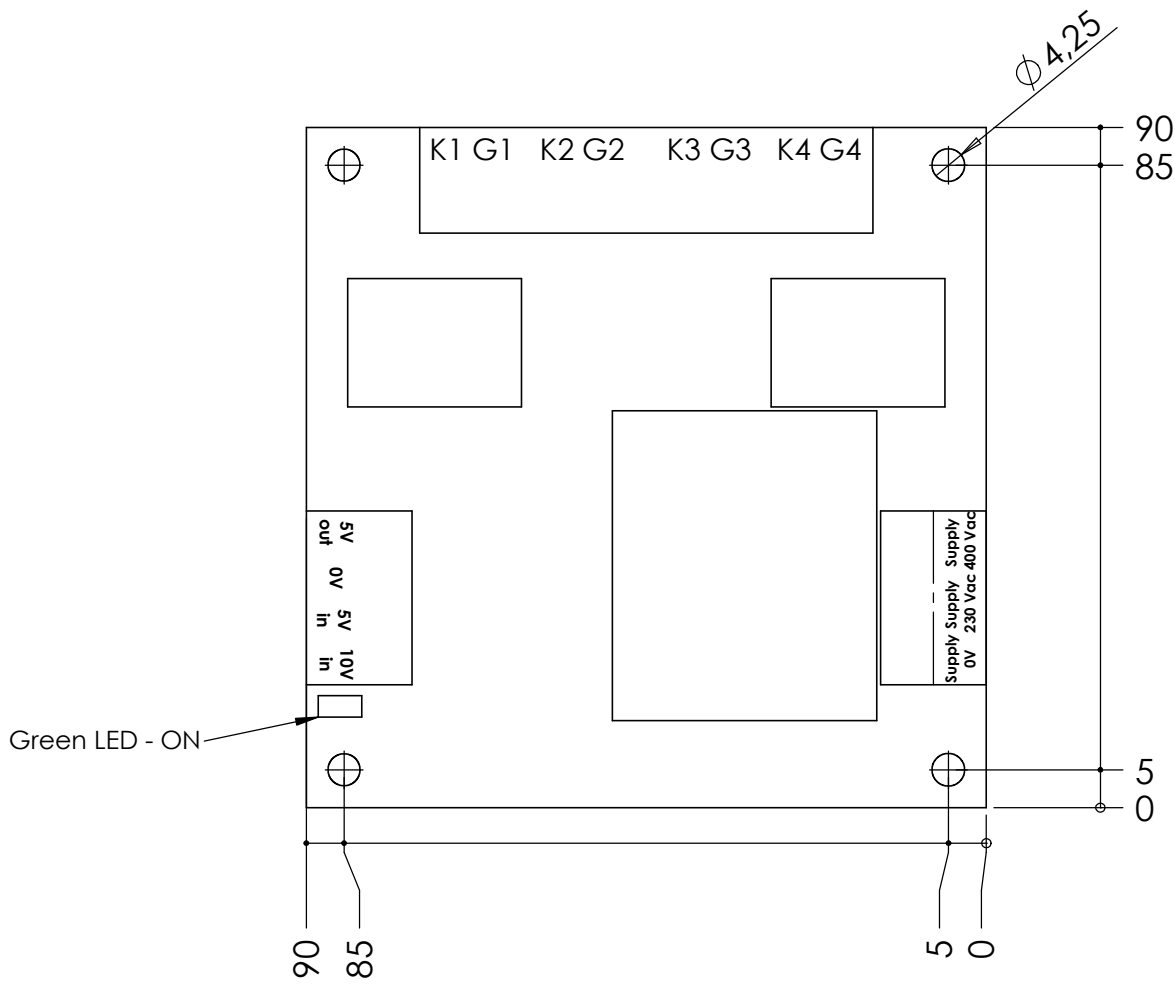
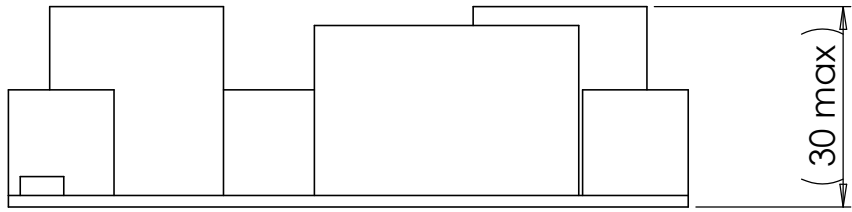
The triggering signal could be a 0-5 V or 0-10 V from a external DC power supply. The user can also use a 10 kOhm potentiometer connected between 5Vout, 0 V and 5 V in pins.

This regulator is suitable for a wide range of possible applications, among which are: Illumination control, electric ovens temperature control, d.c. motor speed control, starting and control of induction motor speeds, galvanising bath control, electrolytic process control.

ELECTRICAL SPECIFICATIONS:

Supply voltage	230/400 V _{AC} , +10% / -15%
Maximum power drain	3W
Triggering current	300 mA @ V _{gk} =5V
Control voltages	0-5V Rin=5k? 0-10V Rin=10k?
Auxiliary output voltage	5V I _{max} =100 mA
Insulation	4.000 Vca inlet/outlet
Supply frequency	47-63Hz
Operating temperature range	0-50°C
Connection type	Fast connection, no screws needed
Mounting holes	for M4 screws
Weight	0.24kg
Conforms to VDE standards.	

Semikron Electronics SL posee el copyright de este plano.
 Se autoriza su uso única y exclusivamente para el fin para el que ha sido enviado.
 No se permite su reproducción sin el consentimiento escrito previo de los autores.



	Escala	Material	Denominación		Código	Rev.
	1:2		RT380M PCB 230/400V RoHS		RT380Mpcb	0
	Tolerancia Entre Centros: ±0.25 Métrica: ±0.5	Acabado	Artículo	Dibujado	Revisado	Fecha
			97492423	CO		10/03/10